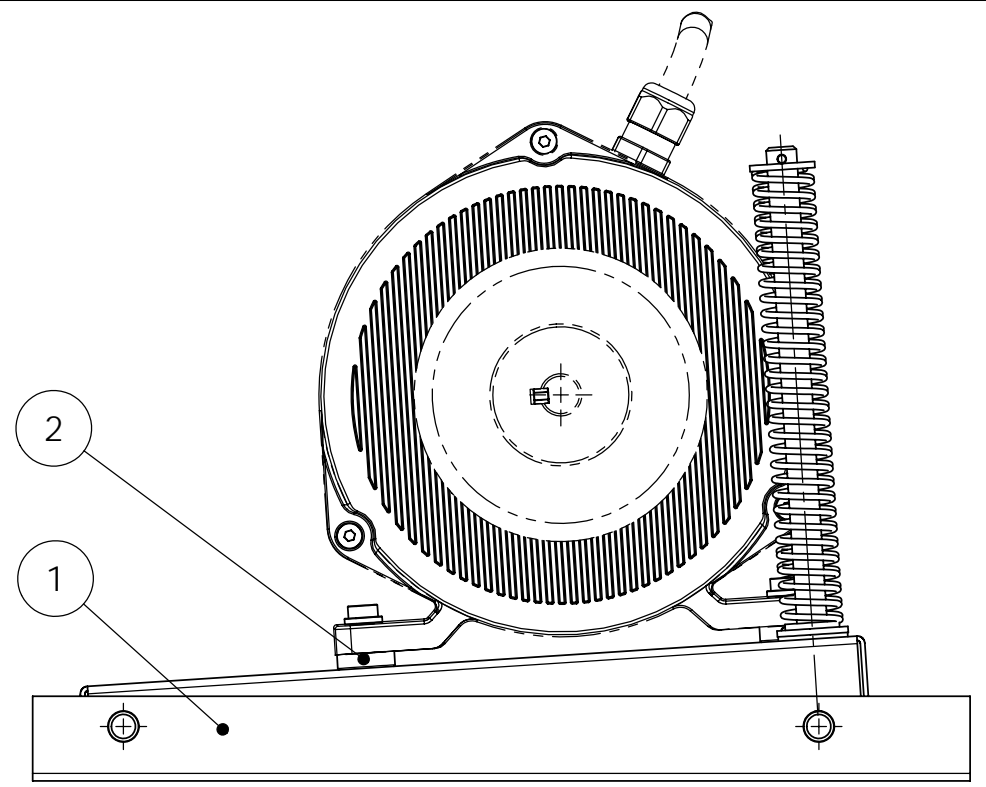
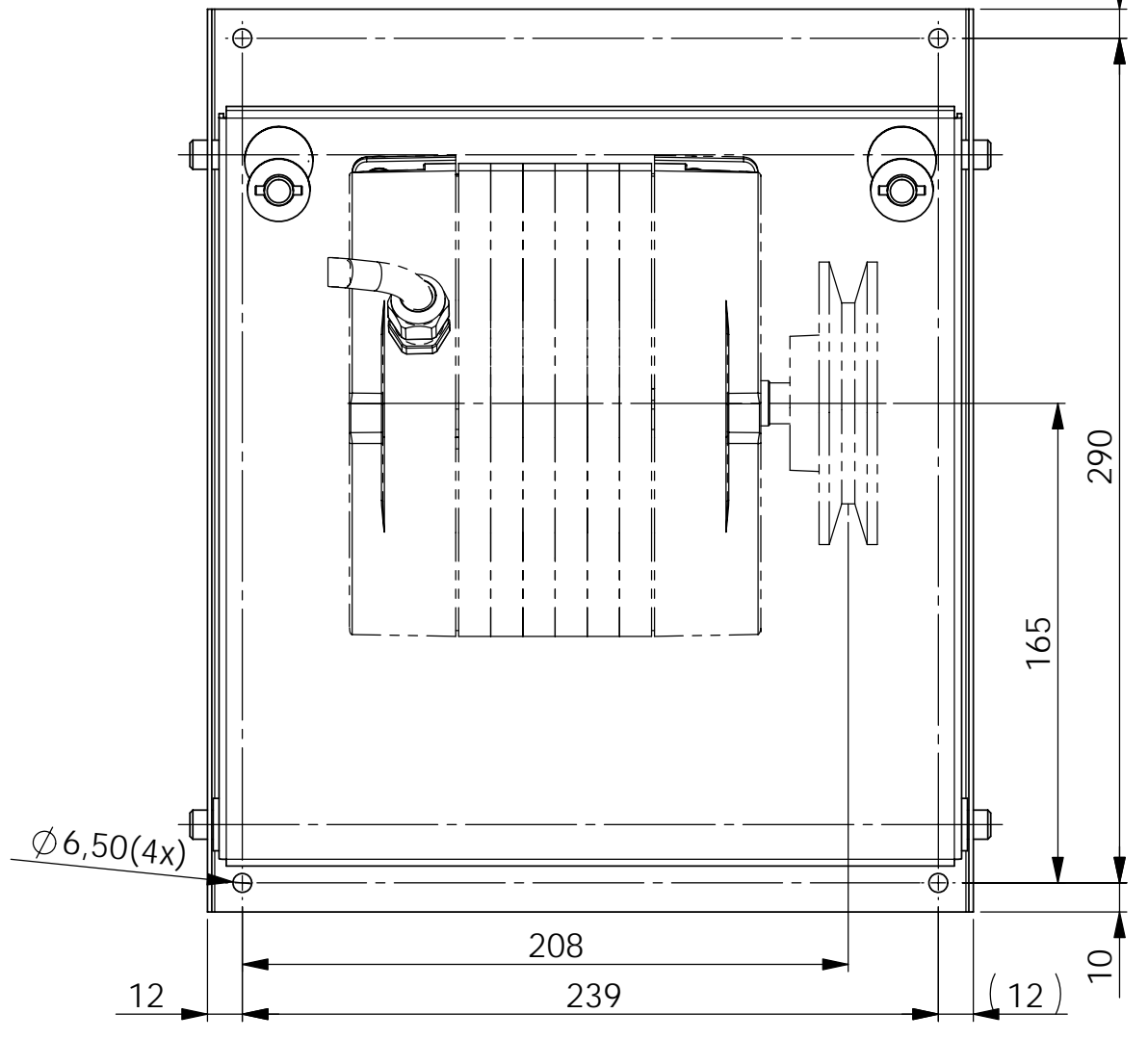
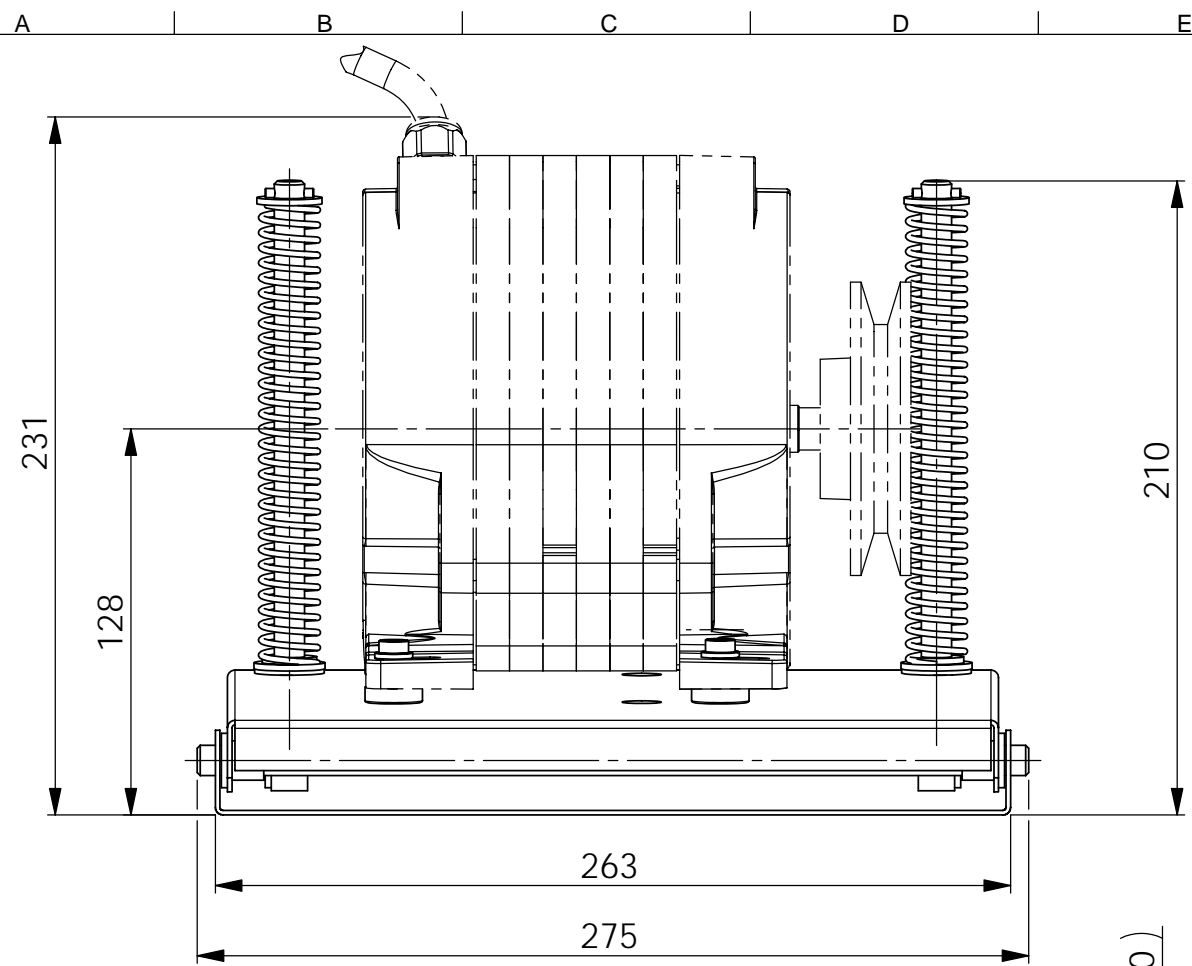
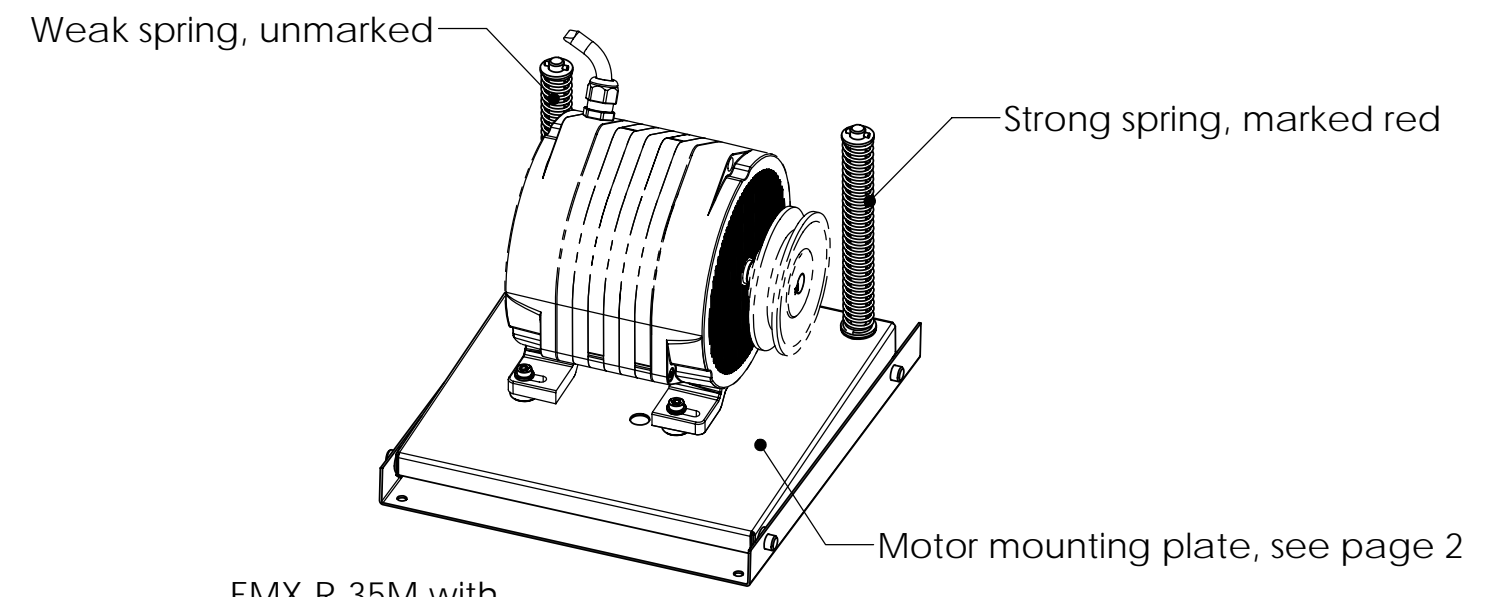


This document must not be copied without our written permission, and the contents thereof must not be imparted to a third party nor be used for any unauthorized purpose. Contravention will be prosecuted. OsTek AB

Rev.	Date	Author	Description



Section A-A



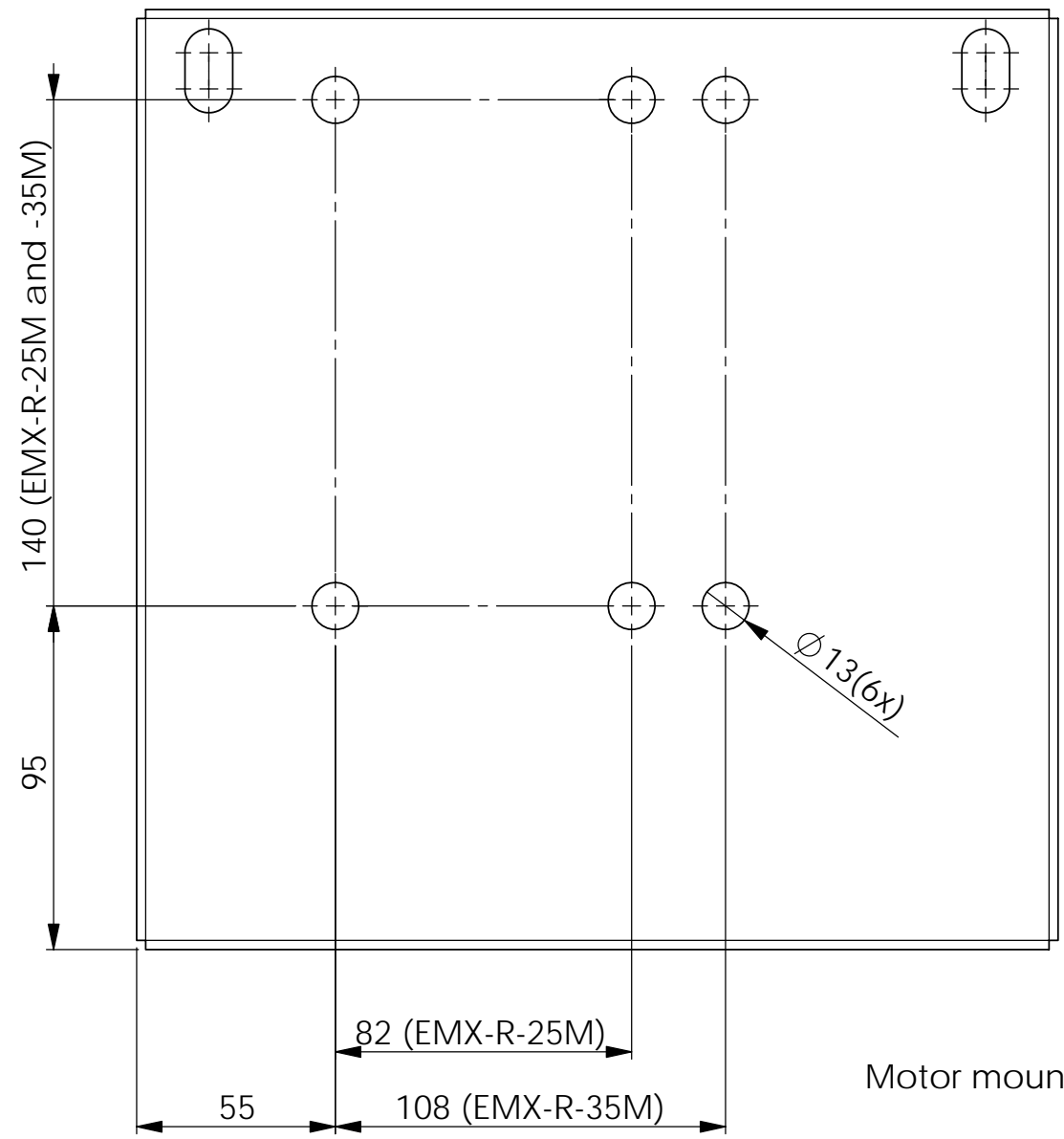
EMX-R-35M with motor cable
Scale 1:5

Pos.	Description	Qty.
1	Motor support	1
2	Rubber bushing	4

Designed BW Drawn SL Approved			Page 1 of 2	
Material/Manufacturer		Dimension/Type		Comments
OsTek AB Österbybruk			WHERE NO SPECIFIC TOLERANCE IS GIVEN, WE APPLY TO THE STANDARDS BELOW: SS-ISO 2768-1 (M) (901017), SS 2111 (H12) (900912)	
Motor support for motors EMX-R-25M and -35M		Scale 1:2,5	Date 060403	
Drawing / Article NO. 3-1122			Revision R0	

A B C D E F G H I J

1
2
3
4
5
6
7



Motor mounting plate

This document must not be copied without our written permission, and the contents thereof must not be imparted to a third party nor be used for any unauthorized purpose. Contravention will be prosecuted. OsTek AB

Rev.	Date	Author	Description

			Page 2 of 2	
Material/Manufacturer		Dimension/Type		Comments
Designed BW	Drawn SL	Approved	WHERE NO SPECIFIC TOLERANCE IS GIVEN, WE APPLY TO THE STANDARDS BELOW: SS-ISO 2768-1 (M) (901017), SS 2111 (H12) (900912)	
ÖsTek AB Österbybruk			Scale 1:2 Date 060403 Drawing / Article NO. 3-1122 Revision R0	

